

Practical Concurrent and Parallel Programming 6

Peter Sestoft
IT University of Copenhagen

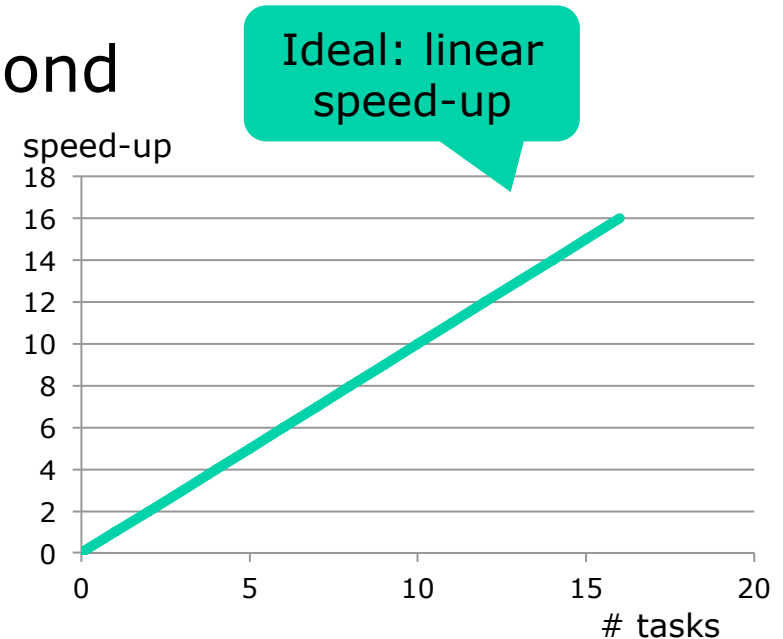
Friday 2015-10-02**

Plan for today

- Performance and scalability
- Reduce lock duration, use lock splitting
- Hash maps, a scalability case study
 - (A) Hash map à la Java monitor
 - (B) Hash map with lock striping
 - (C) Ditto with lock striping and non-blocking reads
 - (D) Java 8 library's ConcurrentHashMap

Performance versus scalability

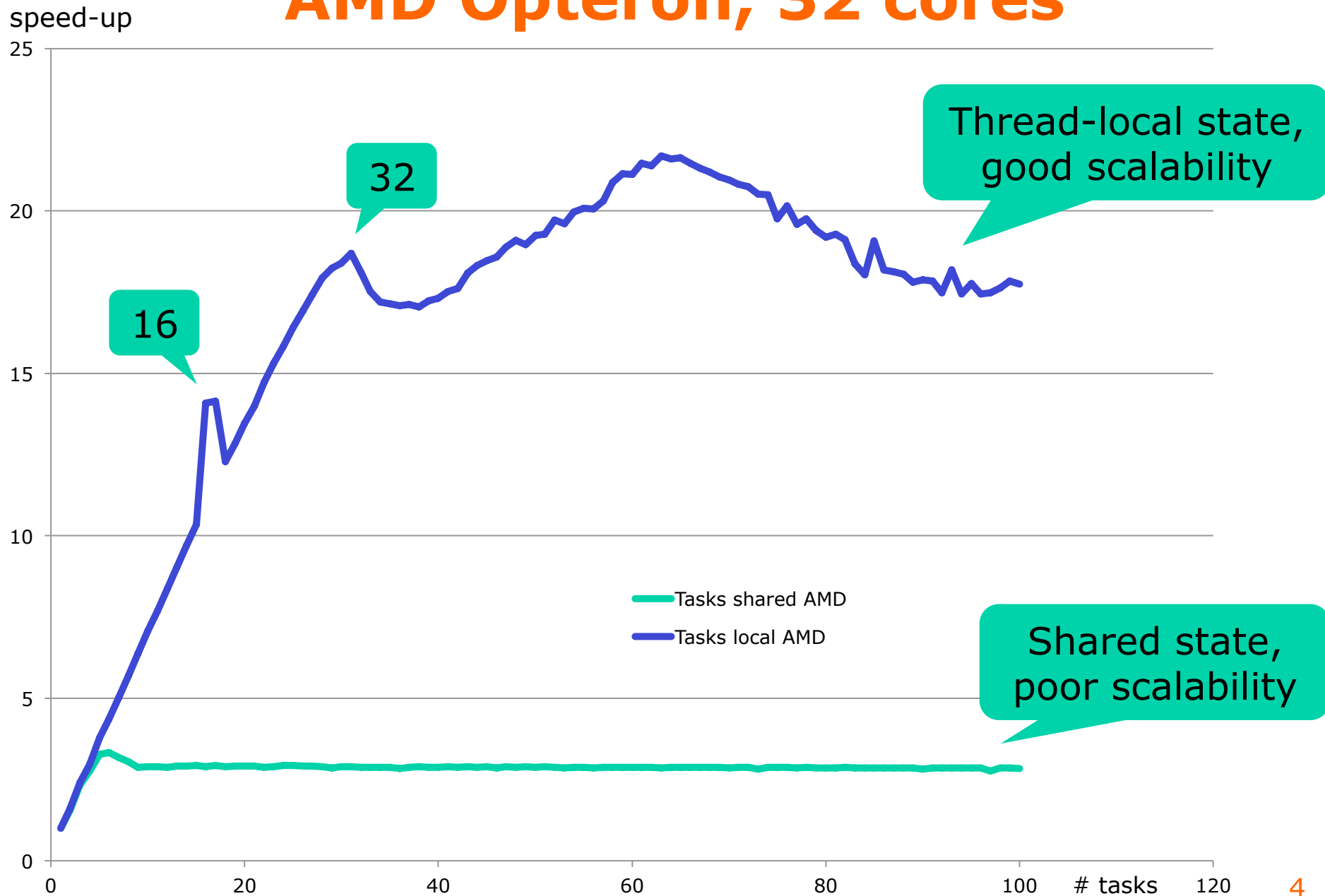
- Performance
 - Latency: time till first result
 - Throughput: results per second
- Scalability
 - Improved throughput when more resources are added
 - Speed-up as function of number of threads or tasks



- One may sacrifice performance for scalability
 - OK to be slower on 1 core if faster on 2 or 4 or ...
 - Requires rethinking our "best" sequential code

Scalability of prime counting

AMD Opteron, 32 cores



What limits throughput?

- CPU-bound
 - Eg. counting prime numbers
 - To speed up, add more CPUs (cores)
- Memory-bound
 - Eg. make color histograms of images
 - To speed up, improve data locality; recompute more
- Input/output-bound
 - Eg. fetching webpages and finding links
 - To speed up, use more tasks
- Synchronization-bound
 - Eg. image segmentation using shared data structure
 - To speed up, improve shared data structure. How?

Much of this lecture

What limits scalability?

- Sequentiality of *problem*
 - Example: growing a crop
 - 4 months growth + 1 month harvest if done by 1 person
 - Growth (sequential) cannot be speeded up
 - Using 30 people to harvest, takes $1/30$ month = 1 day
 - Maximal speed-up factor, using many many harvesters:
 $5/(4+1/30) = 1.24$ times faster
 - Amdahl's law
 - $F =$ sequential fraction of problem = $4/5 = 0.8$
 - $N =$ number of parallel resources = 30
 - Speed-up $\leq 1/(F+(1-F)/N) = 1/(0.8+0.2/30) = 1.24$
- Sequentiality of *solution*
 - Solution slower than necessary because shared resources, eg. locking, sequentialize solution

Reduce lock duration

```
public class AttributeStore {
    private final Map<String, String> attributes = ...;
    public synchronized boolean userLocationMatches(String name,
                                                    String regexp)
    {
        String key = "users." + name + ".location";
        String location = attributes.get(key);
        return location != null && Pattern.matches(regexp, location);
    }
}
```

Must lock

May be slow, holds lock unnecessarily

- Better:

```
public class BetterAttributeStore {
    private final Map<String, String> attributes = ...;
    public boolean userLocationMatches(String name, String regexp) {
        String key = "users." + name + ".location";
        String location;
        synchronized (this) {
            location = attributes.get(key);
        }
        return location != null && Pattern.matches(regexp, location);
    }
}
```

Lock only here

Does not hold lock

Lock splitting

```
public class ServerStatusBeforeSplit {
    @GuardedBy("this") public final Set<String> users = ...;
    @GuardedBy("this") public final Set<String> queries = ...;
    public synchronized void addUser(String u) {
        users.add(u);
    }
    public synchronized void addQuery(String q) {
        queries.add(q);
    }
    public synchronized void removeUser(String u) { .
}
}
```

Lock server status object

Lock server status object

- **Better**, (addUser and addQuery can run concurrently)

```
public class ServerStatusAfterSplit {
    @GuardedBy("users") public final Set<String> users = ...;
    @GuardedBy("queries") public final Set<String> queries = ...;
    public void addUser(String u) {
        synchronized (users) { users.add(u); }
    }
    public void addQuery(String q) {
        synchronized (queries) { queries.add(q); }
    }
    ...
}
}
```

Lock only users set

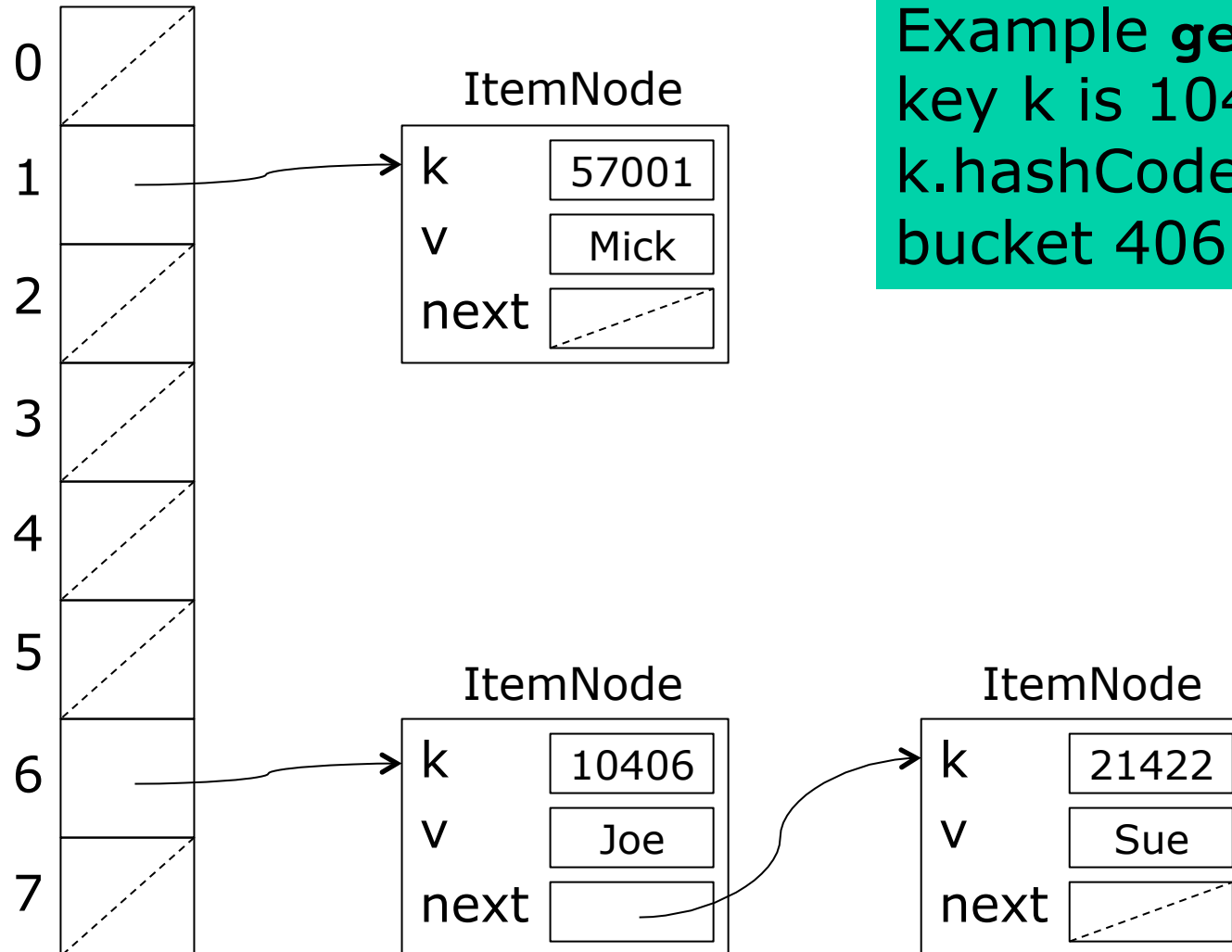
Lock only queries set

Plan for today

- Performance and scalability
- Reduce lock duration, use lock splitting
- **Hash maps, a scalability case study**
 - (A) Hash map à la Java monitor
 - (B) Hash map with lock striping
 - (C) Ditto with lock striping and non-blocking reads

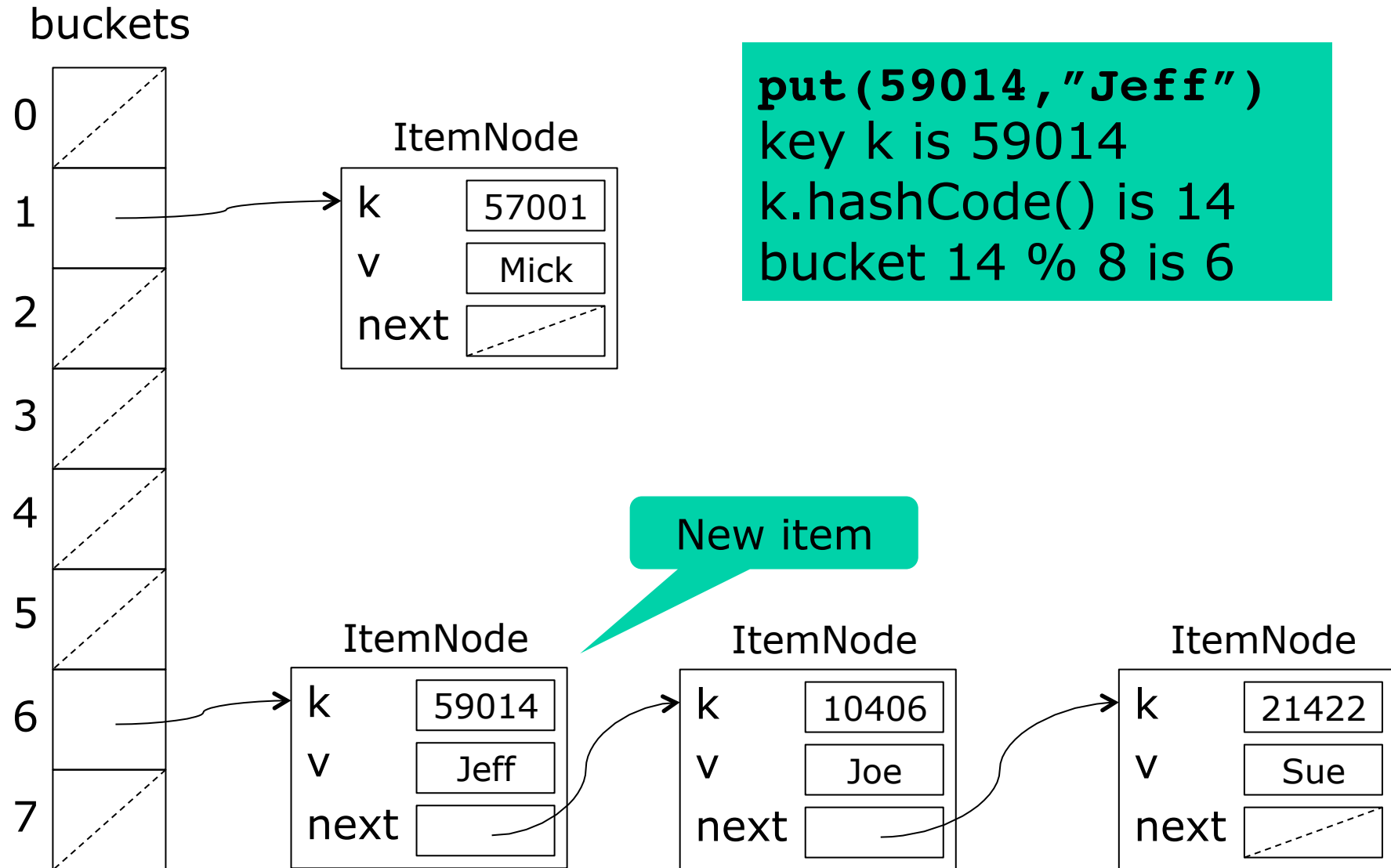
A hash map = buckets table + item node lists

buckets



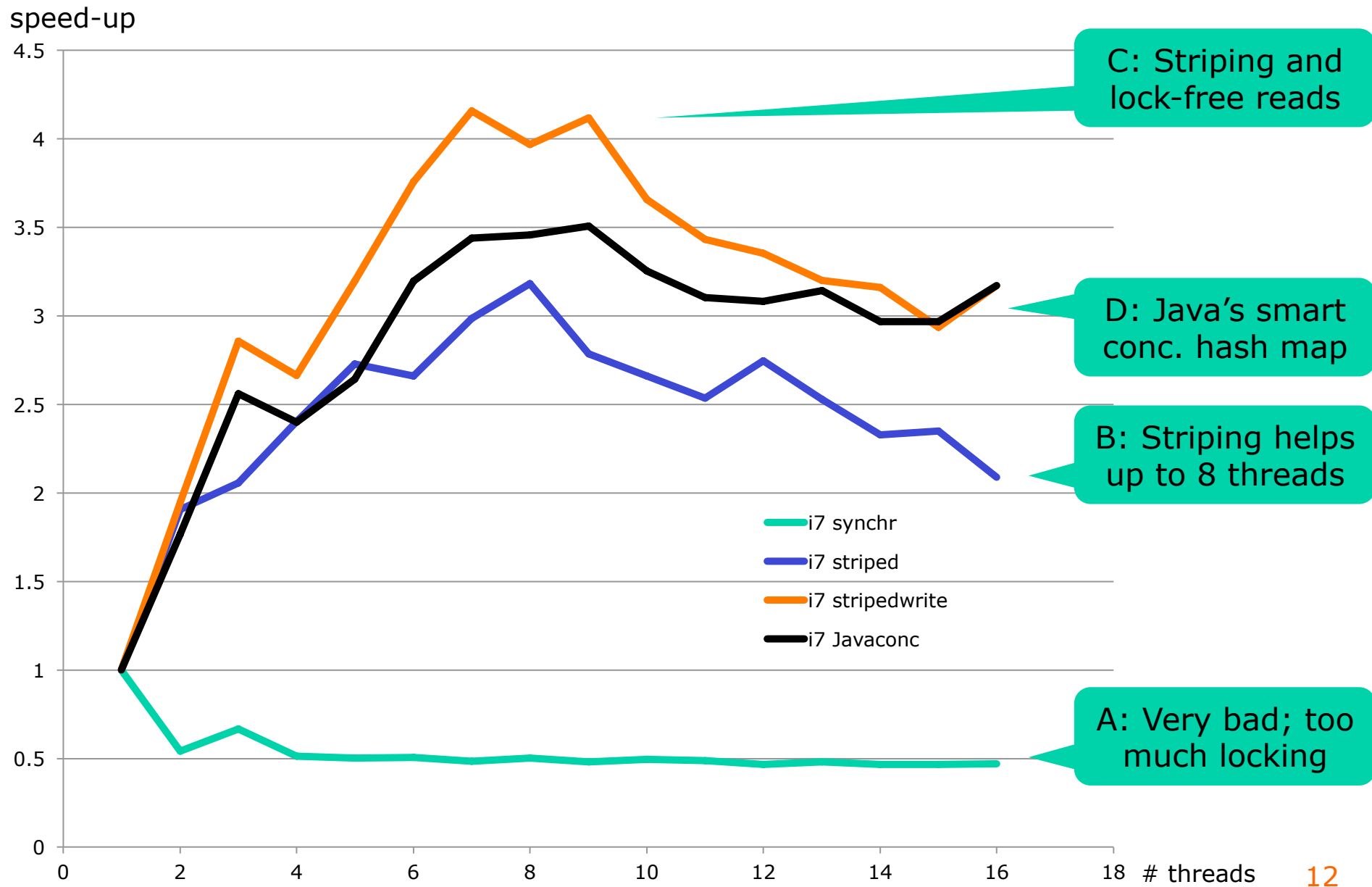
Example `get(10406)`
key k is 10406
k.hashCode() is 406
bucket $406 \% 8$ is 6

Insertion into the hashmap



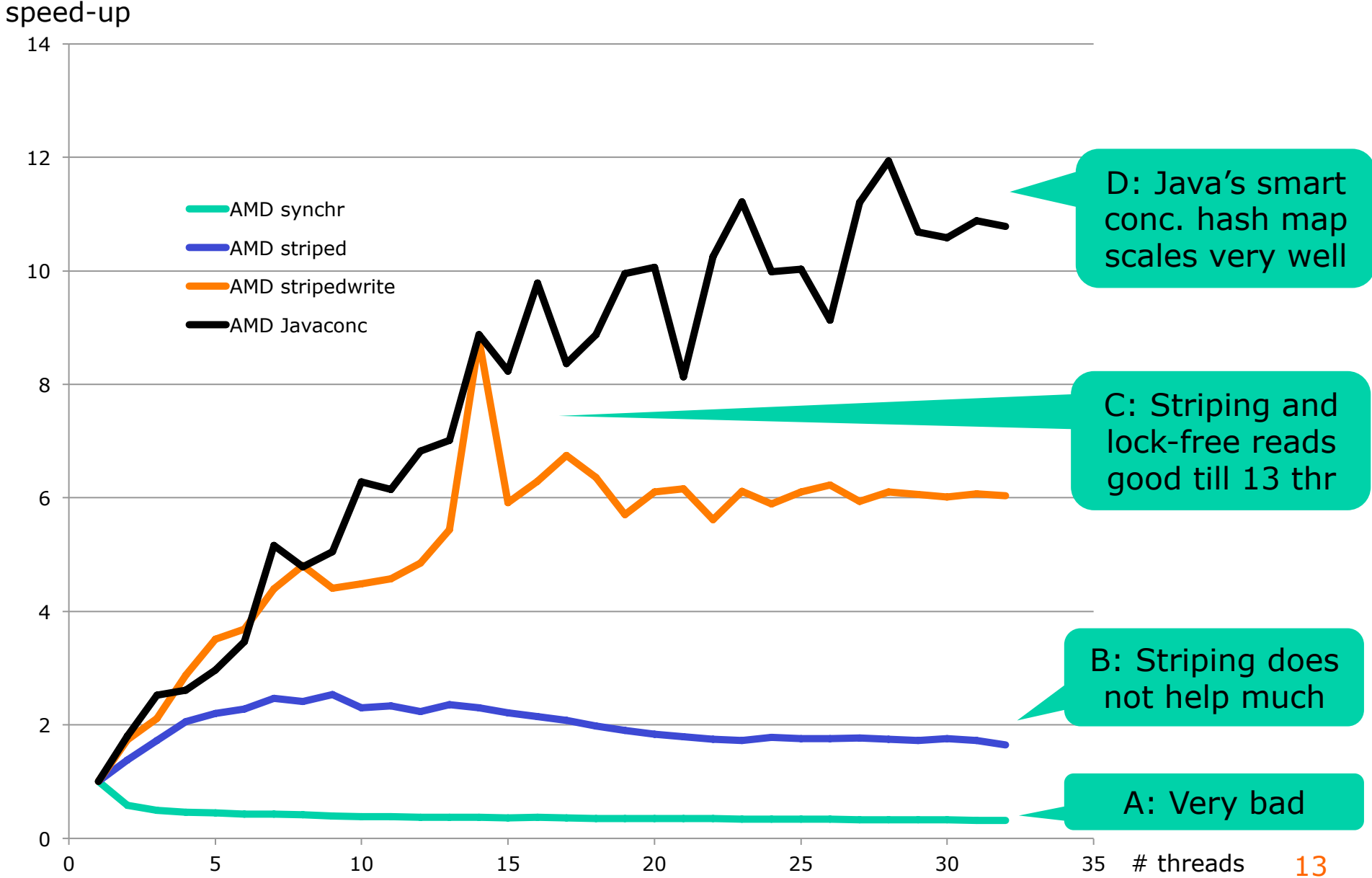
Scalability of hash maps

Intel i7 w 4 cores & hyperthreading



Scalability of hash maps

AMD Opteron w 32 cores



Our map interface

- Reduced version of Java interface Map<K,V>

```
interface OurMap<K,V> {  
    boolean containsKey(K k);  
    V get(K k);  
    V put(K k, V v);  
    V putIfAbsent(K k, V v);  
    V remove(K k);  
    int size();  
    void forEach(Consumer<K,V> consumer);  
    void reallocateBuckets();  
}
```

```
interface Consumer<K,V> {  
    void accept(K k, V v);  
}
```

```
for (Entry (k,v) : map)  
    System.out.printf(...);
```

```
map.forEach((k, v) ->  
    System.out.printf("%10d maps to %s%n", k, v));
```

TestStripedMap.java

Synchronized map implementation

```
static class ItemNode<K,V> {  
    private final K k;  
    private V v;  
    private ItemNode<K,V> next;  
    public ItemNode(K k, V v, ItemNode<K,V> next) { ... }  
}
```

Visibility depends
on synchronization

Java monitor
pattern

```
class SynchronizedMap<K,V> implements OurMap<K,V> {  
    private ItemNode<K,V>[] buckets; // guarded by this  
    private int cachedSize; // guarded by this  
    public synchronized V get(K k) { ... }  
    public synchronized boolean containsKey(K k) { ... }  
    public synchronized int size() { return cachedSize; }  
    public synchronized V put(K k, V v) { ... }  
    public synchronized V putIfAbsent(K k, V v) { ... }  
    public synchronized V remove(K k) { ... }  
    public synchronized void forEach(Consumer<K,V> consumer) { ... }  
}
```

TestStripedMap.java

Implementing containsKey

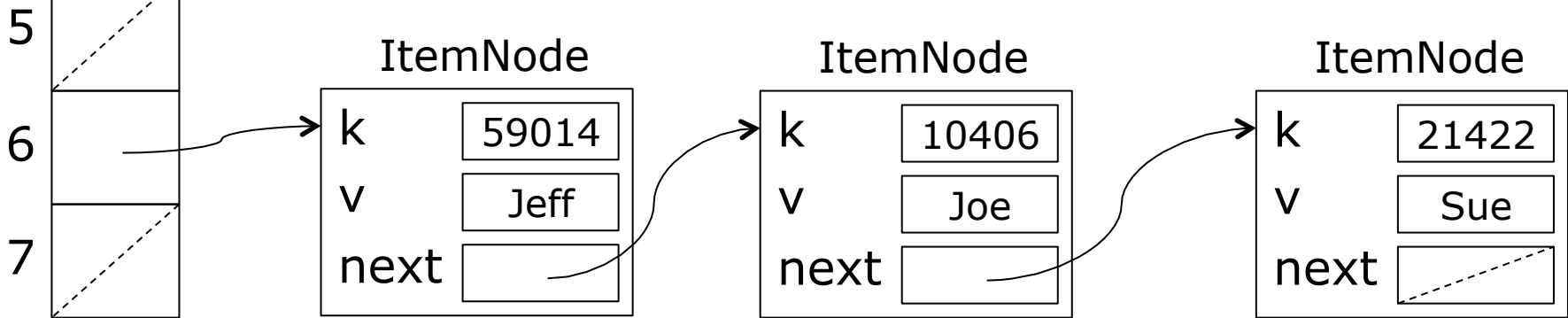
Find bucket

```
public synchronized boolean containsKey(K k) {  
    final int h = getHash(k), hash = h % buckets.length;  
    return ItemNode.search(buckets[hash], k) != null;  
}
```

StripedMap.java

Search item node list

```
static <K,V> ItemNode<K,V> search(ItemNode<K,V> node, K k) {  
    while (node != null && !k.equals(node.k))  
        node = node.next;  
    return node;  
}
```



Implementing putIfAbsent

```
public synchronized V putIfAbsent(K k, V v) {  
    final int h = getHash(k), hash = h % buckets.length;  
    ItemNode<K,V> node = ItemNode.search(buckets[hash], k);  
    if (node != null)  
        return node.v;  
    else {  
        buckets[hash] = new ItemNode<K,V>(k, v, buckets[hash]);  
        cachedSize++;  
        return null;  
    }  
}
```

Search
bucket's
node list

If key exists,
return value

Else add new
item node at
front of list

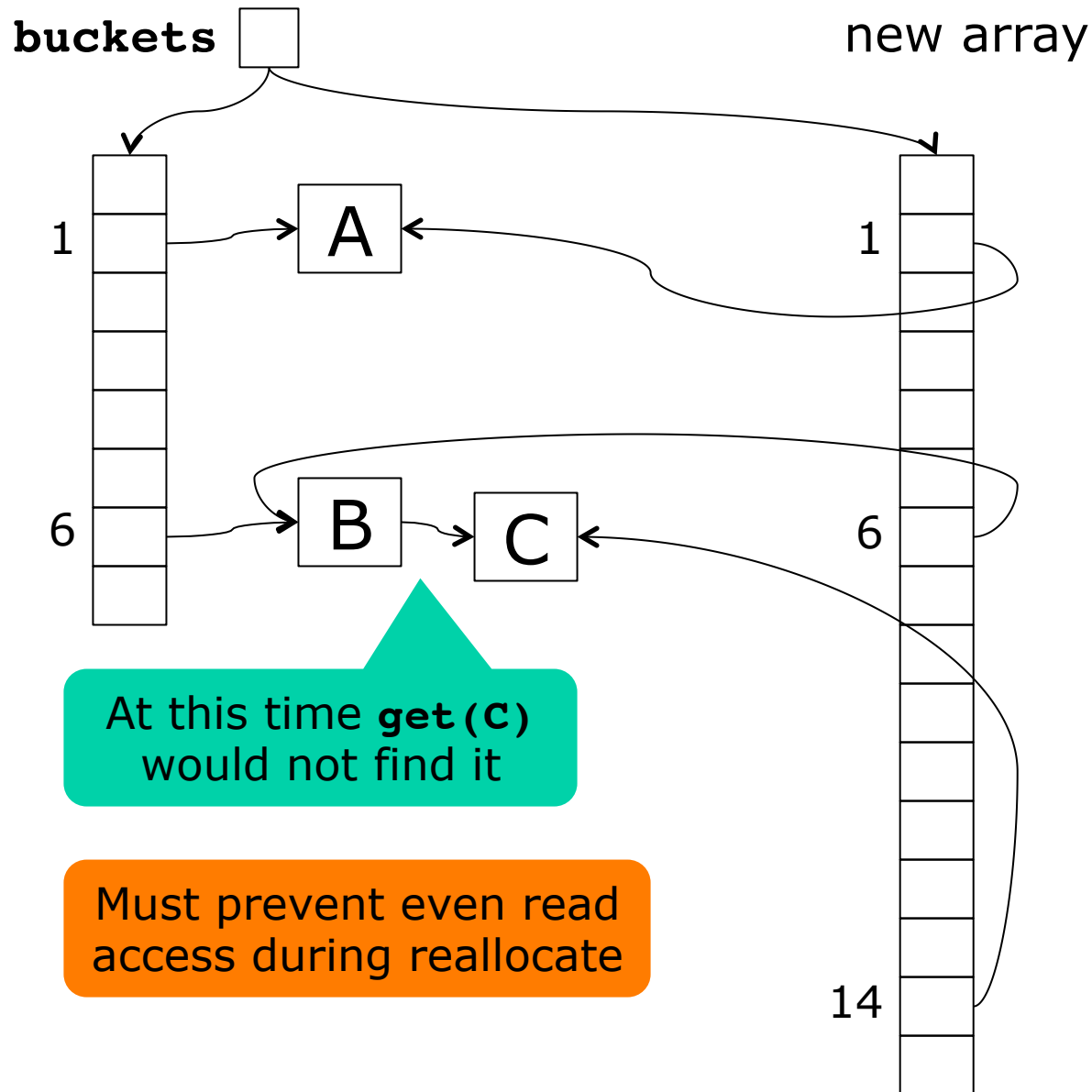
...edMap.java

- All methods are synchronized
 - atomic access to buckets table and item nodes
 - all writes by put, putIfAbsent, remove, reallocateBuckets are visible to containsKey, get, size, forEach

Reallocating buckets

- Hash map efficiency requires short node lists
- When item node lists become too long, then
 - Double buckets array size to `newCount`
 - For each item node `(k,v)`
 - Recompute `newHash = getHash(k) % newCount`
 - Link item node into new list at `newBuckets[newHash]`
- This is a dramatic operation
 - Must lock the entire data structure
 - Can happen at any insertion

Double buckets array (mutating)



ReallocateBuckets implementation

TestStripedMap.java

```
public synchronized void reallocateBuckets() {
    final ItemNode<K,V>[] newBuckets = makeBuckets(2 * buckets.length);
    for (int hash=0; hash<buckets.length; hash++) {
        ItemNode<K,V> node = buckets[hash];
        while (node != null) {
            final int newHash = getHash(node.k) % newBuckets.length;
            ItemNode<K,V> next = node.next;
            node.next = newBuckets[newHash];
            newBuckets[newHash] = node;
            node = next;
        }
    }
    buckets = newBuckets;
}
```

For each item node

Compute new hash

Link into new bucket

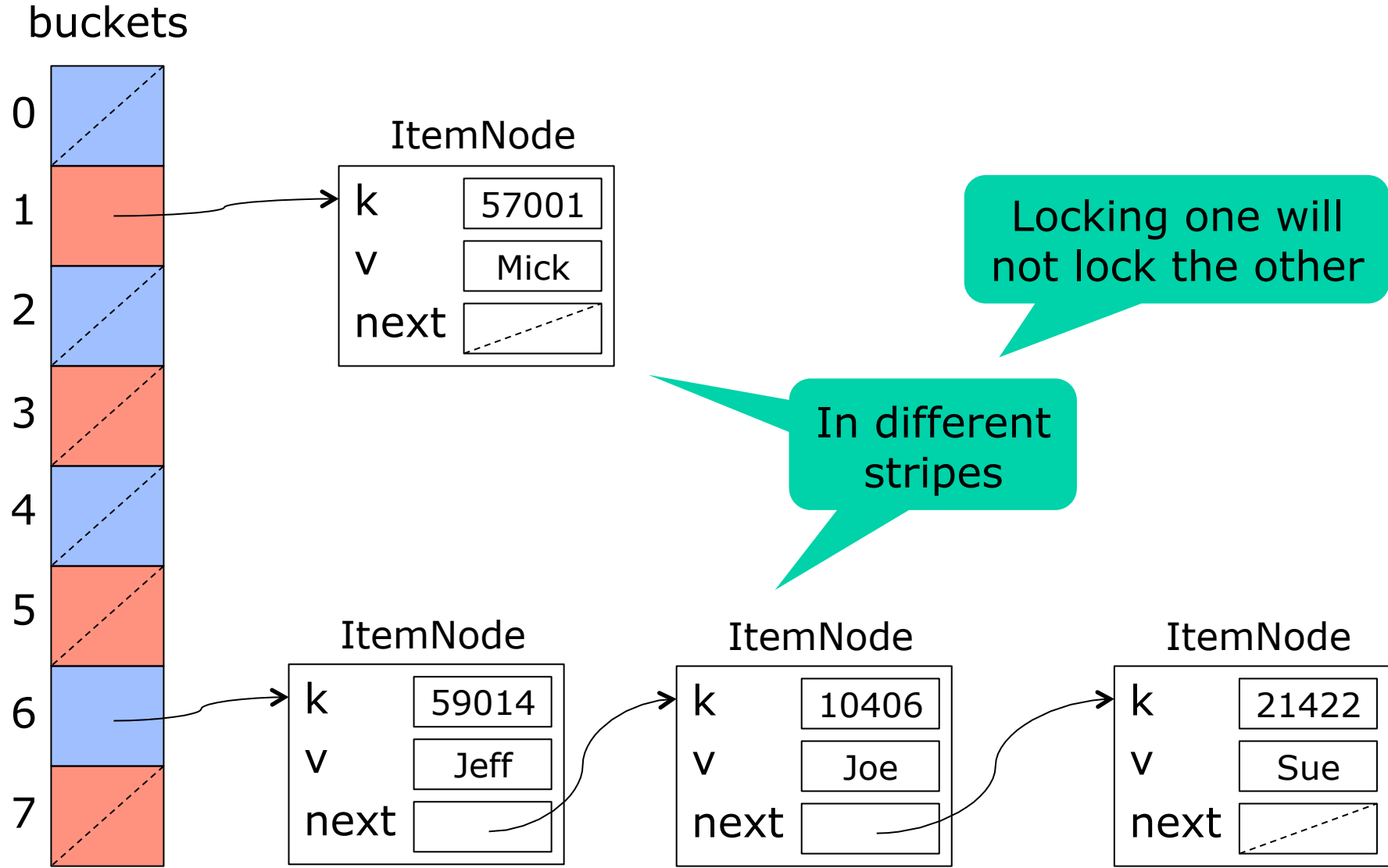
- Seems efficient: reuses each ItemNode
 - Links it into an new item node list
 - So destructs the old item node list
 - So read access impossible during reallocation
 - Good 1-core performance, but bad scalability

Better scalability: Lock striping

- Guarding the table with a single lock works
 - ... but does not scale well (actually **very** badly)
- Idea: Each bucket could have its own lock
- In practice
 - use a few, maybe 16, locks
 - guard every 16th bucket with the same lock
 - locks[0] guards bucket 0, 16, 32, ...
 - locks[1] guards bucket 1, 17, 33, ...
- With high probability
 - two operations will work on different stripes
 - hence will take different locks
- Less lock contention, better scalability

Lock striping in hash map

Two stripes 0 = blue and 1 = red



Striped hashmap implementation

NB!

```
class StripedMap<K,V> implements OurMap<K,V> {  
    private volatile ItemNode<K,V>[] buckets;  
    private final int lockCount;  
    private final Object[] locks;  
    private final int[] sizes;  
  
    public boolean containsKey(K k) { ... }  
    public V get(K k) { ... }  
    public int size() { ... }  
    public V put(K k, V v) { ... }  
    public V putIfAbsent(K k, V v) { ... }  
    public V remove(K k) { ... }  
    public void forEach(Consumer<K,V> consumer) { ... }  
}
```

TestStripedMap.java

Methods **not** synchronized

- Synchronization on **locks[stripe]** ensures
 - atomic access within each stripe
 - visibility of writes to readers

Implementation of containsKey

TestStripedMap.java

```
public boolean containsKey(K k) {
    final int h = getHash(k), stripe = h % lockCount;
    synchronized (locks[stripe]) {
        final int hash = h % buckets.length;
        return ItemNode.search(buckets[hash], k) != null;
    }
}
```

- Compute key's hash code
 - Lock the relevant stripe
 - Compute hash index, access bucket
 - Search node item list
-
- What if buckets were reallocated between computing "stripe" and locking?

Representing hash map size

- Could use a single `AtomicInteger` **size**
 - might limit concurrency
- Instead use one **int** per stripe
 - read and write while holding the stripe's lock

```
public int size() {  
    int result = 0;  
    for (int stripe=0; stripe<lockCount; stripe++)  
        synchronized (locks[stripe]) {  
            result += sizes[stripe];  
        }  
    return result;  
}
```

- A stripe might be updated right after we read its size, before we return the sum
 - This is acceptable in concurrent data structures

Striped put(k,v)

```
public V put(K k, V v) {
    final int h = getHash(k), stripe = h % lockCount;
    synchronized (locks[stripe]) {
        final int hash = h % buckets.length;
        final ItemNode<K,V> node = ItemNode.search(buckets[hash], k);
        if (node != null) {
            V old = node.v;
            node.v = v;
            return old;
        } else {
            buckets[hash] = new ItemNode<K,V>(k, v, buckets[hash]);
            sizes[stripe]++;
            return null;
        }
    }
}
```

Lock stripe

If k exists, update value to v, return old

Else add new item node (k,v)

And add 1 to stripe size

Reallocating buckets

- Must lock all stripes; how take `nlocks` locks?
 - Use recursion: each call takes one more lock

```
private void lockAllAndThen(Runnable action) {
    lockAllAndThen(0, action);
}
private void lockAllAndThen(int nextStripe, Runnable action) {
    if (nextStripe >= lockCount)
        action.run();
    else
        synchronized (locks[nextStripe]) {
            lockAllAndThen(nextStripe + 1, action);
        }
}
```

TestStripedMap.java

```
synchronized(locks[0]) {
    synchronized(locks[1]) {
        ...
        synchronized(locks[15]) {
            action.run();
        } ... } }
```

Overall effect of calling
`lockAllAndThen(0, action)`

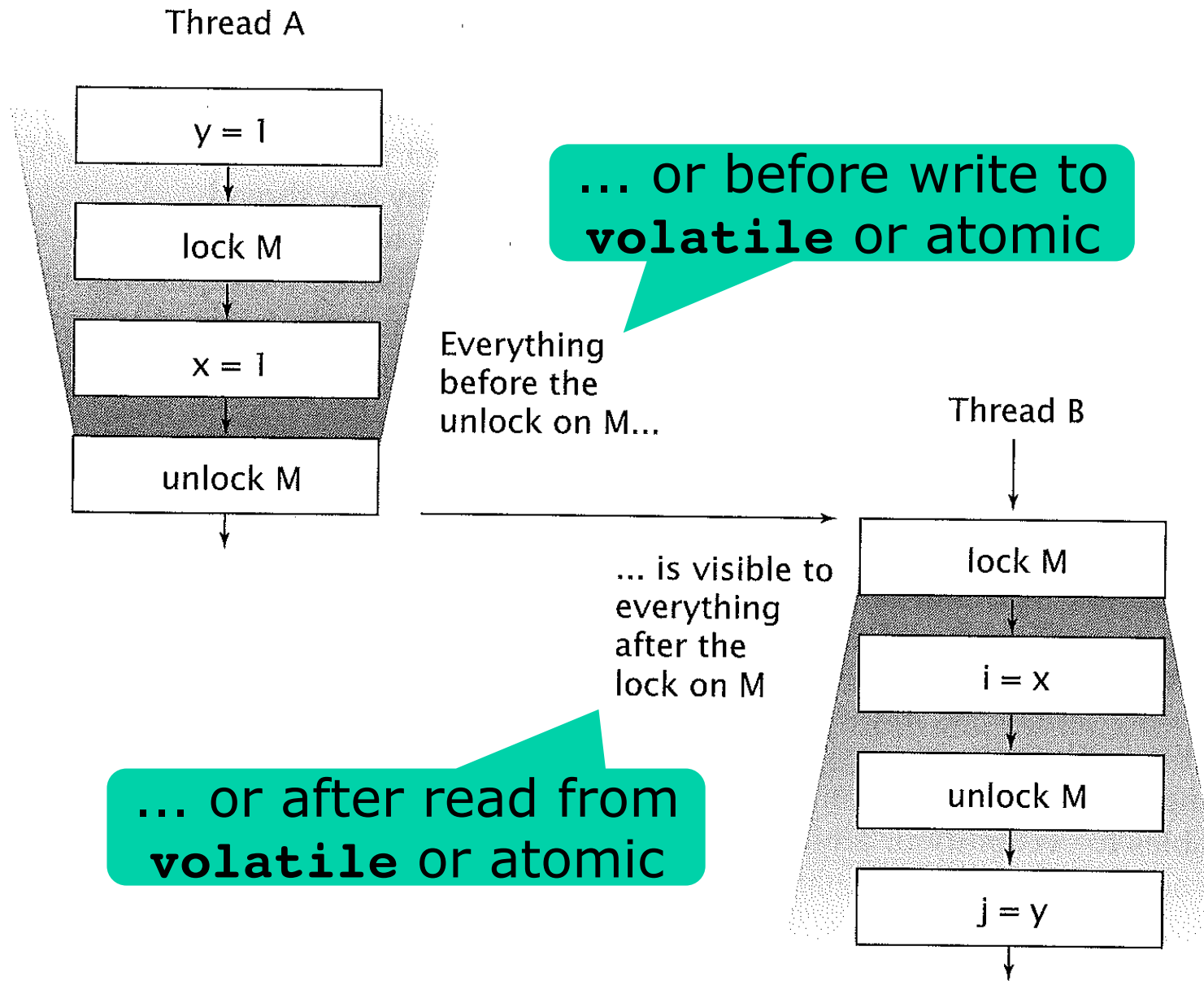
All locks held when
calling `action.run()`

Idea: Immutable item nodes

- We can make read access lock free
- Good if more reads than writes
- A *read* of key k consists of
 - Compute `hash = getHash(k) % buckets.length`
 - Access `buckets[hash]` to get an item node list
 - Search the immutable item node list
- (1) Must make **buckets** access *atomic*
 - Get local reference: `final ItemNode<K,V>[] bs = buckets;`
- (2) No lock on reads, how make writes *visible*?
 - Represent stripe sizes using `AtomicIntegerArray`
 - A hash map write must write to stripe size, **last**
 - A hash map read must read from stripe size, **first**
 - Also, declare **buckets** field **volatile**

Must be atomic

Visibility by lock, volatile, or atomic



Goetz p. 37

Locking the stripes only on write

```
class StripedWriteMap<K,V> implements OurMap<K,V> {
    private volatile ItemNode<K,V>[] buckets;
    private final int lockCount;
    private final Object[] locks;
    private final AtomicIntegerArray sizes;
    ... non-synchronized methods, signatures as in StripedMap<K,V>
}
```

TestStripedMap.java

```
static class ItemNode<K,V> {
    private final K k;
    private final V v;
    private final ItemNode<K,V> next;

    static boolean search(ItemNode<K,V> node, K k, Holder<V> old) ...
    static ItemNode<K,V> delete(ItemNode<K,V> node, K k, Holder<V> old) ...
}
```

Immutable

```
static class Holder<V> { // Not threadsafe
    private V value;
    public V get() { return value; }
    public void set(V value) { this.value = value; }
}
```

To hold "out" parameters

Lock-free containsKey

```
public boolean containsKey(K k) {
    final ItemNode<K,V>[] bs = buckets;
    final int h = getHash(k), stripe = h % lockCount,
        hash = h % bs.length;
    return sizes.get(stripe) != 0 && ItemNode.search(bs[hash], k, null);
}
```

Read volatile field, once ...

First read sizes, to make previous writes visible

... so that hash and array are consistent

TestStripedMap.java

- In class ItemNode, a plain linked list search:

```
static <K,V> boolean search(ItemNode<K,V> node, K k, Holder<V> old) {
    while (node != null)
        if (k.equals(node.k)) {
            if (old != null)
                old.set(node.v);
            return true;
        } else
            node = node.next;
    return false;
}
```

Item nodes are immutable and so threadsafe

If k found, may return v here

Stripe-locking put(k,v)

```

public V put(K k, V v) {
    final int h = getHash(k), stripe = h % lockCount;
    synchronized (locks[stripe]) {
        final ItemNode<K,V>[] bs = buckets;
        final int hash = h % bs.length;
        final Holder<V> old = new Holder<V>();
        final ItemNode<K,V> node = bs[hash],
            newNode = ItemNode.delete(node, k, old);
        bs[hash] = new ItemNode<K,V>(k, v, newNode);
        sizes.getAndAdd(stripe, newNode == node ? 1 : 0);
        return old.get();
    }
}

```

Lock stripe

If k exists, delete,
return (new) list

Add (k,v) to list

Add 1 to size if k
wasn't already in

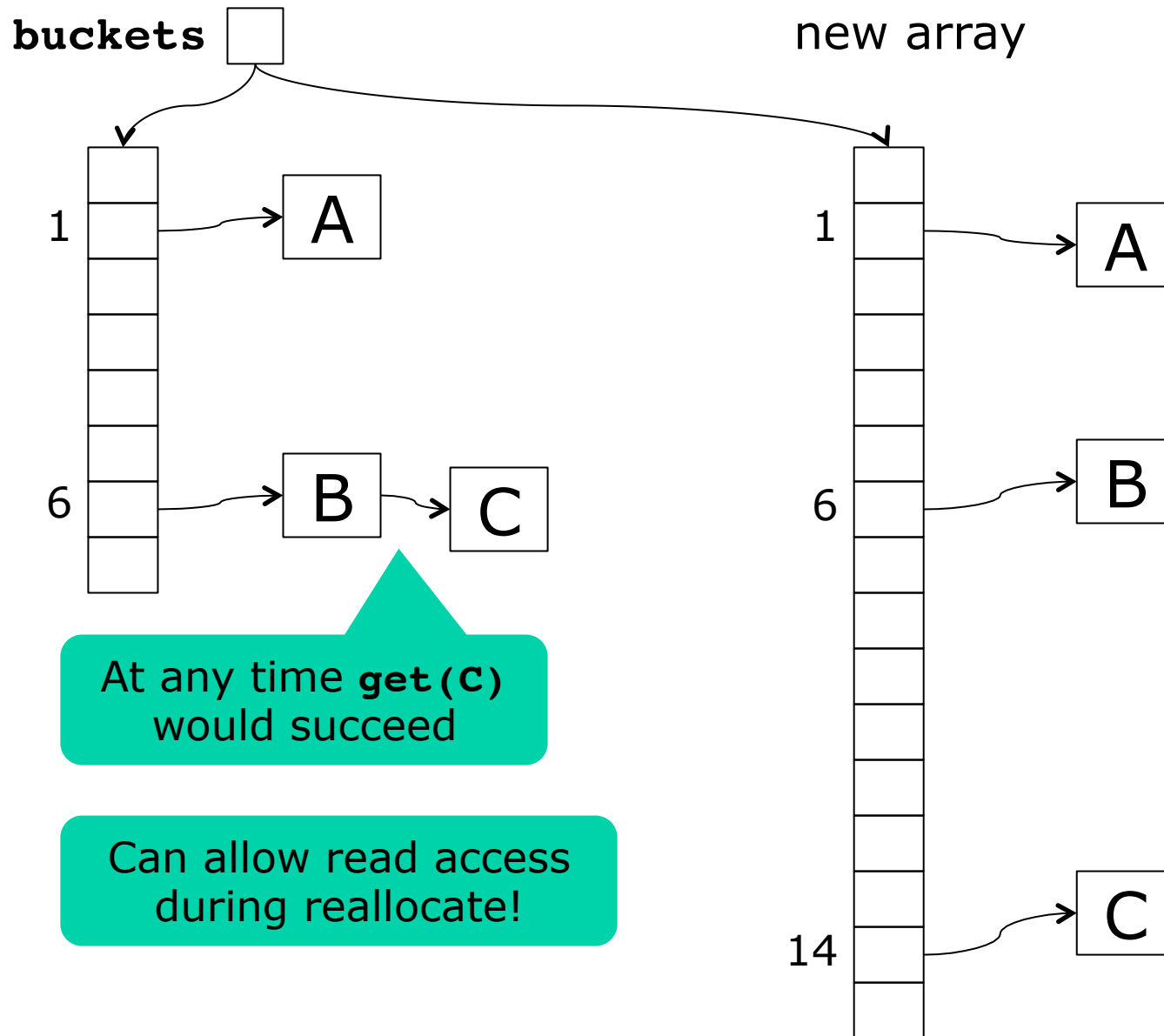
Else add 0 for
visibility only

ConcurrentHashMap.java

- To **put(k, v)**

- Delete existing entry for **k**, if any
 - This may produce a new list of item nodes (immutable!)
- Add new **(k, v)** entry at head of item node list
- Update stripe size, *also* for visibility

Double buckets array (non-mutating)



StripedWriteMap in perspective

- StripedWriteMap design
 - incorporates ideas from Java's ConcurrentHashMap
 - yet is much simpler (Java's uses optimistic concurrency, compare-and-swap, week 11-12)
 - but also less scalable
- Is it correct?
 - I think so ...
 - Various early versions weren't ☹
- Can we test it?
 - Yes, week 9

Comparison of concurrent hashmaps

	A	B	C	D
Concurrent reads	✗	✓	✓	✓
Concurrent reads and writes	✗	✓	✓	✓
Reads during reallocate	✗	✗	✓	?
Writes during reallocate	✗	✗	✗	?

(A) Hash map à la Java monitor

(B) Hash map with lock striping

(C) Ditto with lock striping and non-blocking reads

(D) Java 8 library's ConcurrentHashMap

This week

- Reading
 - Goetz et al chapter 9
 - Optional: McKenney: *Memory barriers*
- Exercises
 - Make sure you can write well-performing and scalable software using lock striping, immutability, Java atomics, and visibility rules; finish StripedMap and StripedWriteMap classes
- Read before next lecture (9 October)
 - Goetz et al chapter 9